

Job Name: _____
 Location: _____
 Contact #: _____



Specifications

Model

428825 – Chrome finish
 428827 –Brushed Nickel With PVD finish

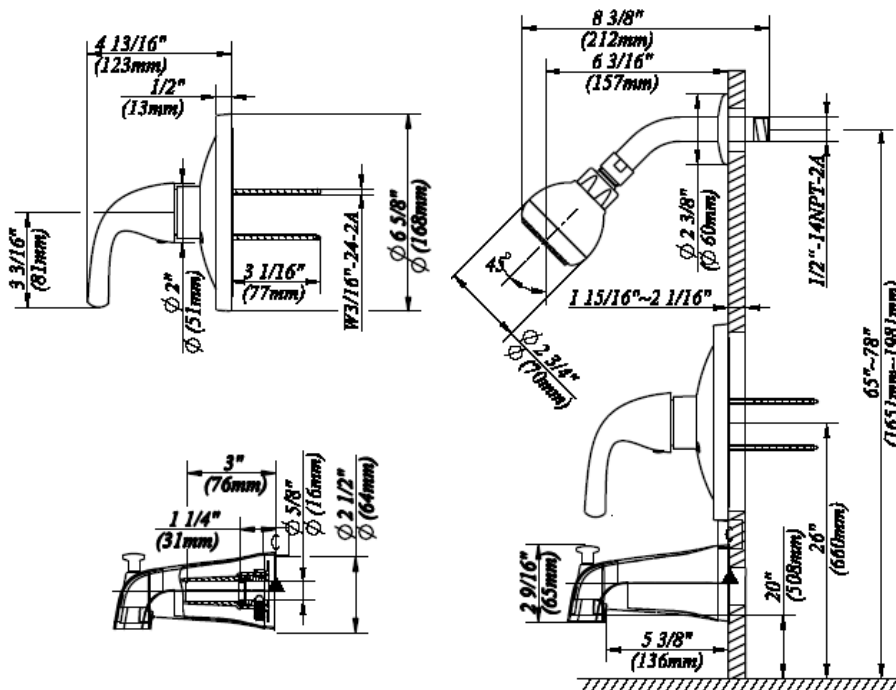
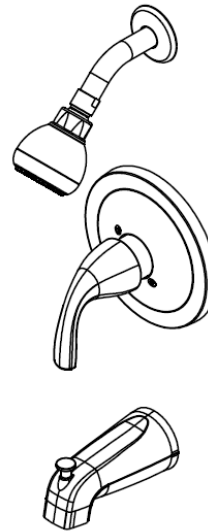
Single Handle T & S Trim only

Description

- Anti-scald 1/4 turn valve mechanism for
- Metal lever handle
- Plastic showerhead
- Max.flow rate: 2.5GPM at 80PSI
- 100% factory pressure tested

Standards

- ASME A112.18.1M/A112.18.1
- IAPMO/cUPC



Technical Support

888-328-2383

Manufacturer model# A667234-MMJ1

Warranty Parts List

Single Handle T & S Trim only

#	Description	Part #
1	Metal Handle	A069913
2	Index Button-Cold/Hot	A66D569
3	Trim Cap	A103311
4	Screw Set(3/16" -24 * 4 " L)	A608564 (A608563)
5	Escutcheon Assembly	A667103
6	Shower Head	S1211202
7	Shower Arm	A020002
8	Shower Arm Flange	A019001
9	Spout W/Diverter	A118011
10	Hex Wrench(H3.18 * 20mm L * 90mm L)	A031017NI

